



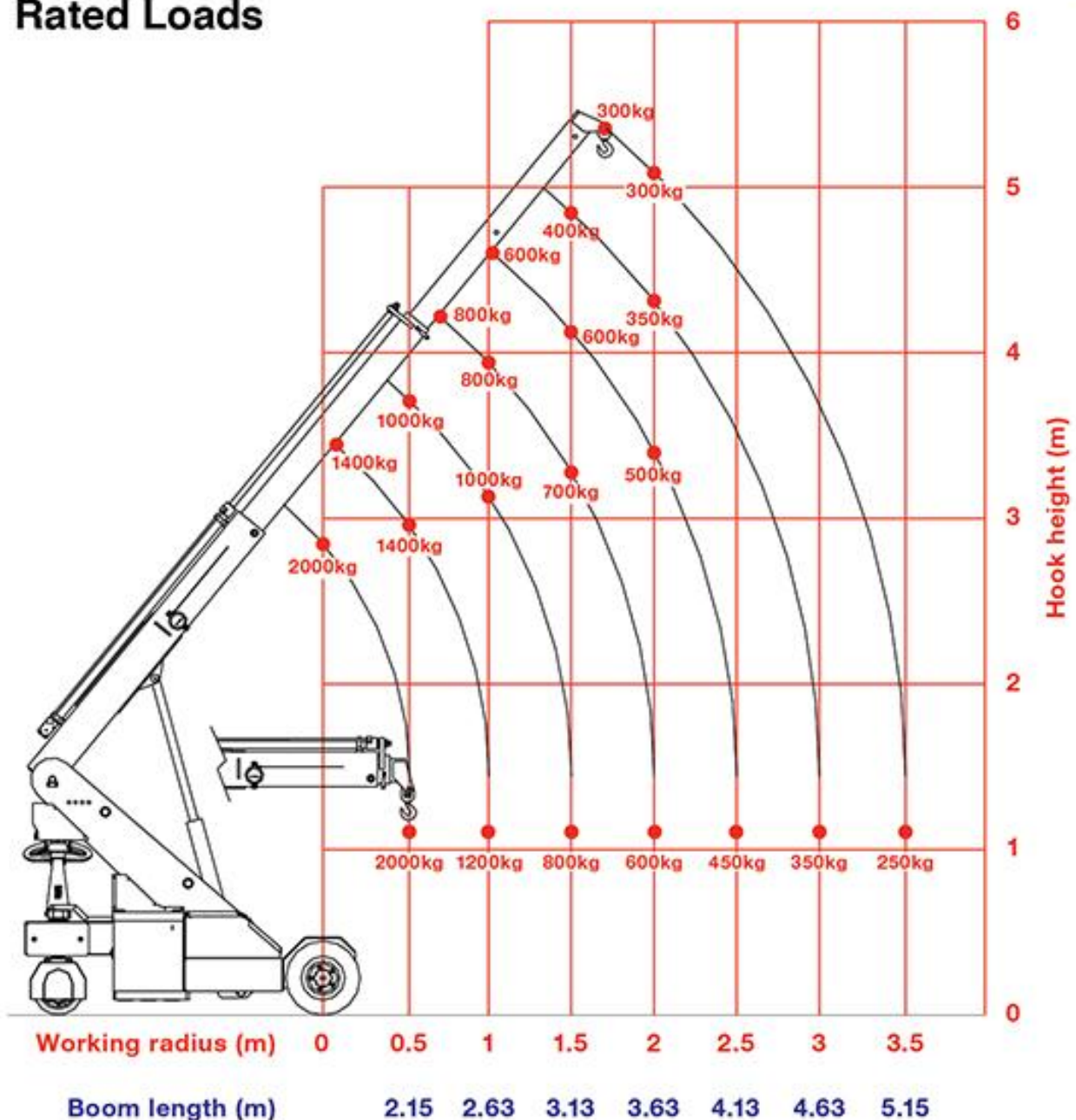
TRANSPORT – GRUE – DEMENAGEMENT INDUSTRIEL – MANUTENTION – LOCATION – ENTREPOSAGE



## Grue électrique Galizia G20<sup>e</sup> / Capacité 2to

### Tableau de Charge : Flèche Principale.

#### Rated Loads



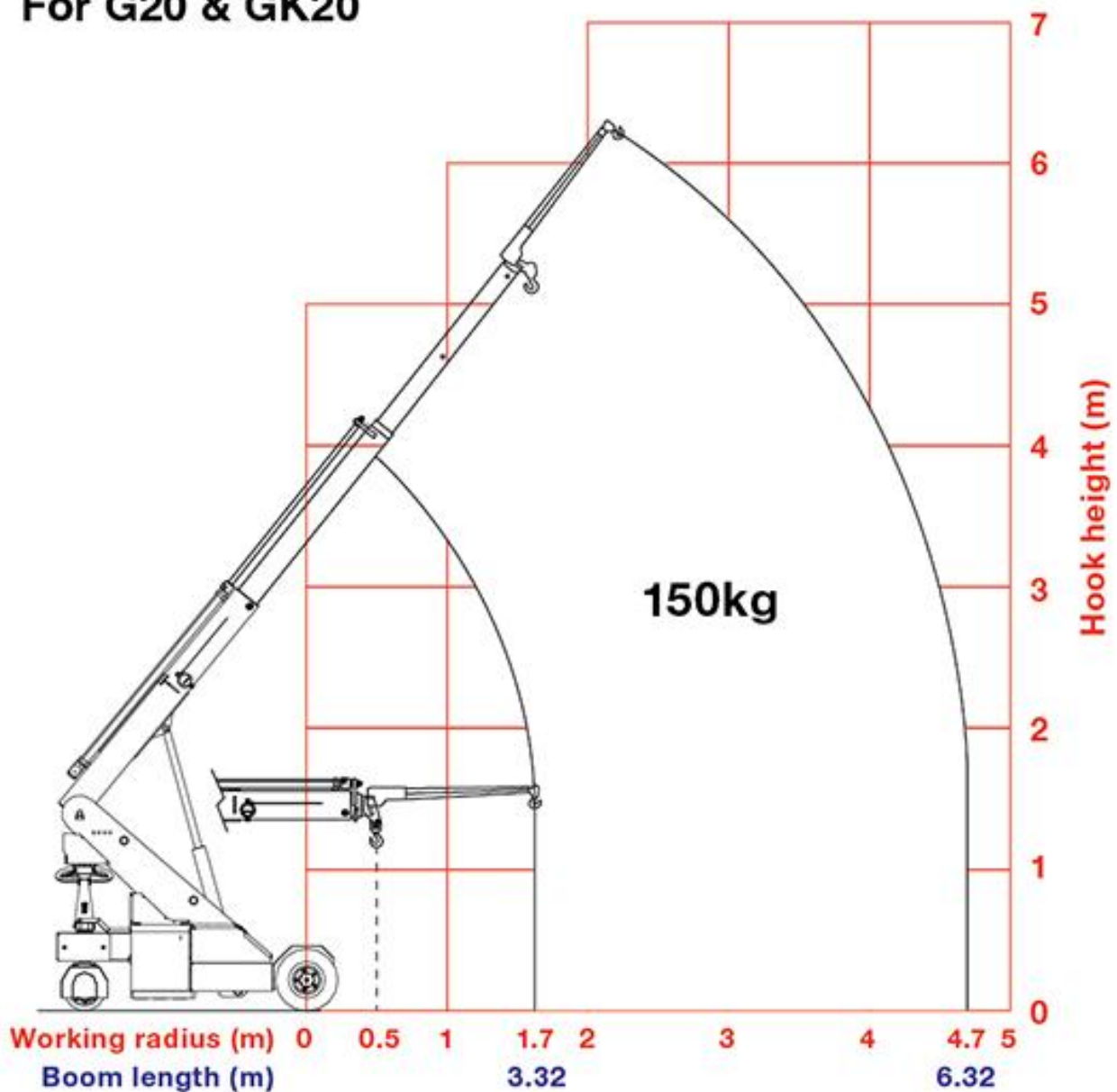


TRANSPORT – GRUE – DEMENAGEMENT INDUSTRIEL – MANUTENTION – LOCATION – ENTREPOSAGE



## Tableau de charge : Avec fléchette de 1.2m.

### Searcher Hook Rated Loads For G20 & GK20



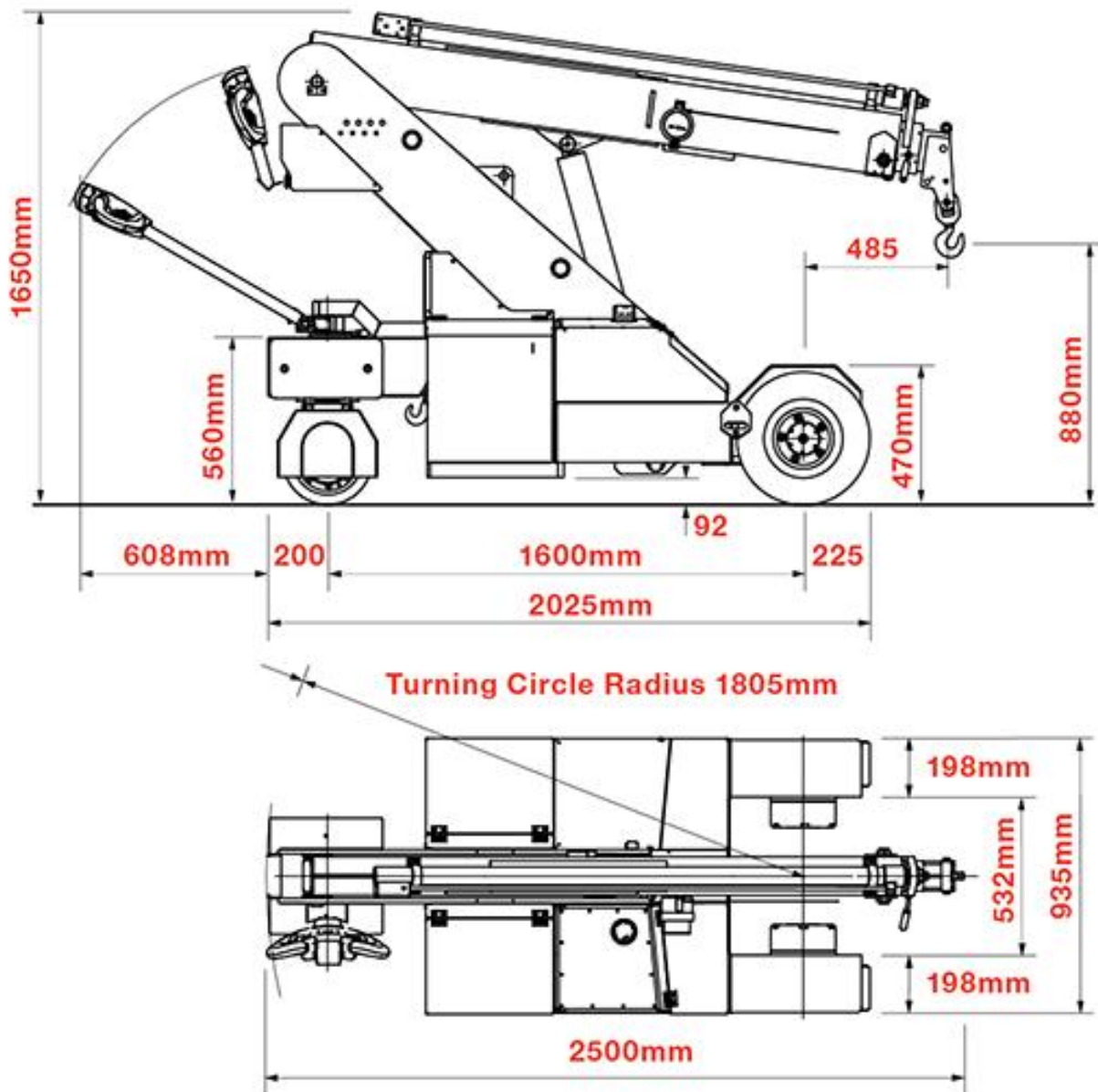


TRANSPORT – GRUE – DEMENAGEMENT INDUSTRIEL – MANUTENTION – LOCATION – ENTREPOSAGE



## Dimensions de la grue / Poids 2000kg

### Technical Data (approx. mm)







TRANSPORT – GRUE – DEMENAGEMENT INDUSTRIEL – MANUTENTION – LOCATION – ENTREPOSAGE

### Technical Specifications

<b>Capacity</b>	2.0t x 0.5m
<b>Maximum working radius</b>	3.5m (4.7m with searcher hook)
<b>Maximum lifting height</b>	5.3m (6.32m with searcher hook)
<b>Dimensions</b>	2500mm (l) x 935mm (w) x 1650mm (h)
<b>Weight</b>	2000kg
<b>Boom length</b>	2.15 - 5.15m
<b>Boom type</b>	3 section box boom (1+2 hydraulic, 3 manual)
<b>Derricking angle</b>	-6° to 50°
<b>Steering</b>	rear 180°
<b>Tyres</b>	1 solid rear, 2 solid front
<b>Power source</b>	24v rechargeable battery
<b>Battery charger</b>	110v
<b>Travel speed</b>	3km/h
<b>Gradeability</b>	±9° (without load)
<b>Standard equipment</b>	Digital safe load indicator, audio-visual overload alarm, reversing alarm, overload warning lamps, work lamp
<b>Optional equipment</b>	Low marking tyres, full winch system (1650kg), radio remote control, electromagnetic front brakes, 150kg searcher hook, 800kg rhino hook





© The GGR Group Ltd



